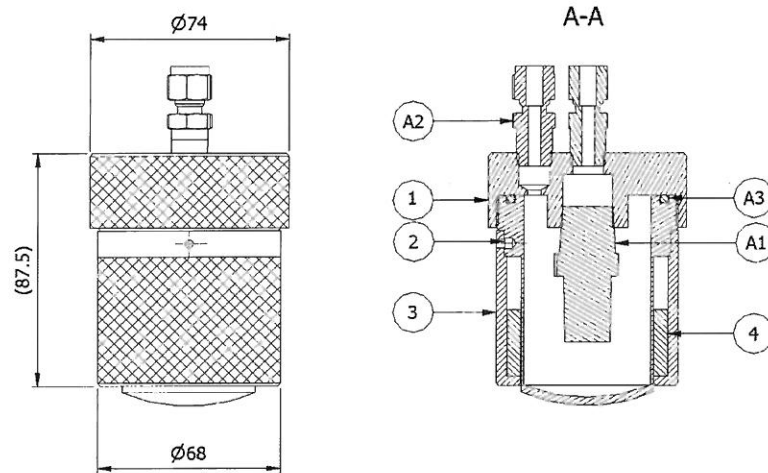


MAGNETIC FILTER

1. SPECIFICATION

- Model No. : MF-045-90
- Material : Housing - SS304
Filter - SS316
- Magnet : Ferrite
- Surface Magnetic Field Strength : 4500GS
- Connection : 1/4"NPTF
- Operating Pressure : 0 ~ 10kg/cm²
- Max. Pressure : 20kg/cm²
- Flow Rate : 4.0 l/min at dp 10psi
12.0 l/min at dp 50psi

2. DRAWINGS



A3	1	O-RING	G55
A2	2	MALE CONNECTOR	1/4"NPT X 1/4" TUBE
A1	1	FILTER	SF8090
4	1	004	MAGNET
3	1	003	MAGNET HOLDER
2	1	002	HOUSING
1	1	001	HOUSING HEAD
ITEM	개수	PART NUMBER	DESCRIPTION